

Toll Free Phone: 800.263.7011  
Toll Free Fax: 800.459.6227

Toll Free Phone: 800.361.3773  
Fax: 905.625.9481

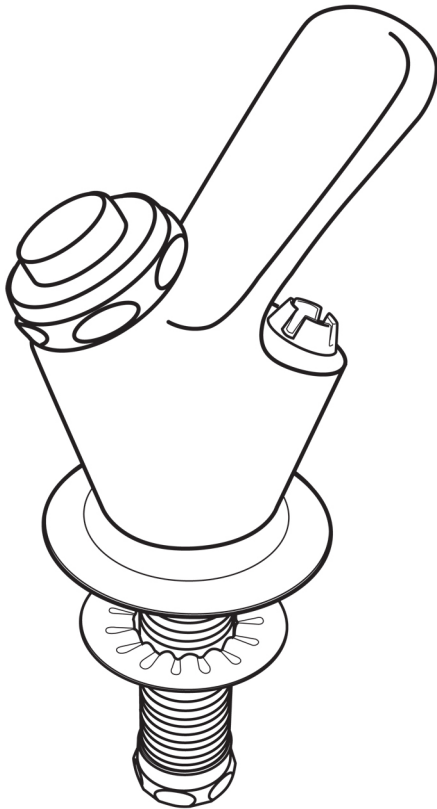
**Engineering Specification: Lead free chrome plated brass drinking fountain with push button and replaceable lead free plastic operating cartridge. For specific use on wall hung drinking fountains with drain bowls.**

## Lead Free Chrome Plated Brass Drinking Fountain Retro Fit Assembly

- 1/2" MPT X 3/8" (body inlet) x 3-1/2" YUXZYVfUgg nipple
- Cartridge has adjustable flow rate feature
- Replace outlet spout
- Stainless steel flange covers various size holes in fountain bowl
- 1-3/4" cover for old handle hole in fountain bowl
- Replacement cartridge number 2195

**Complies:**

- ANSI/NSF 61 Annex G

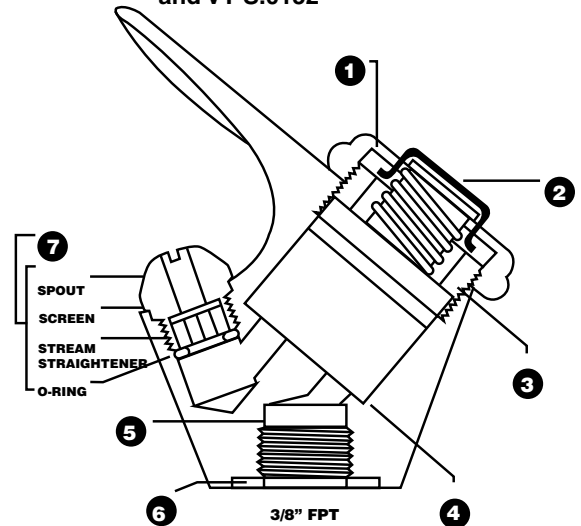


### Part Number & % + @ \*

\*LEAD FREE

### 2195 Cartridge for fountain head

- Flow rate adjustment screw
- GtUjb Ygg GtY
- Complies: CA AB1953 and VT S.0152



1. Chrome collar (2194-1)
2. Chrome button (2194-2)
3. Brass bushing (2194-3)
4. Valve gasket (2194-4)

5. Inlet screen (2194-5)
6. Inlet washer (2194-6)
7. Mouthpiece set (2194-M@)

#### INDUSTRY EQUALS

HAWS	HW5010
EBCO	024572-001
SUNROC	AD19447-SP
HALSEY TAYLOR	3041
TOMLINSON	1016448