

Technical Drawing

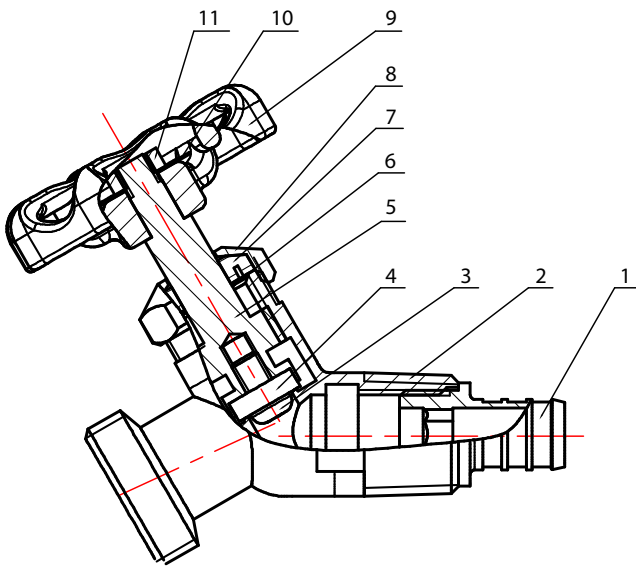
Part / Pièce #

1440144

Specification

cUPC approved(ASME A112.18.1 CSA B125.1)

Comply with NSF61



Material List

No.	Part Name	Material
1	Fitting	C37700
2	Body	C37700
3	Bolt	Brass
4	Washer	EPDM
5	Stem	C37700
6	Gasket	S201
7	Washer	EPDM
8	Nut	Brass
9	Handle	Al
10	Nameplate	Al
11	Lock Nut	S201

Toll Free Phone: 800.263.7011
 Toll Free Fax: 800.459.6227

Toll Free Phone: 800.361.3773
 Fax: 905.625.9481

