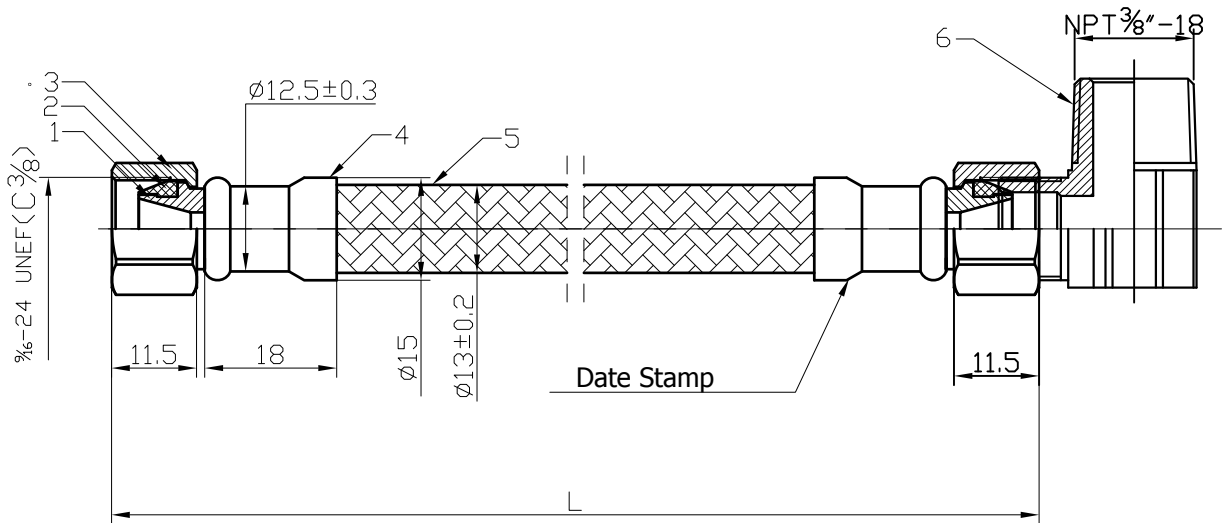


Toll Free Phone: 800.263.7011
 Toll Free Fax: 800.459.6227

Toll Free Phone: 800.361.3773
 Fax: 905.625.9481



Item	Description	Material	Item	Description	Material
1.	Cone Seat	CW617N	4.	S.S. Sleeve	SS304
2.	Gasket	EDPM	5.	S.S. Wire	SS304
3.	Nut	HPb57-3	6.	Brass Elbow	HPb57-3

Part #	Description	Box Qty
55514	Dishwasher Supply 3/8" OD x 3/8" OD comp x 48"	10/50
55516	Dishwasher Supply 3/8" OD x 3/8" OD comp x 60"	10/50
55518	Dishwasher Supply 3/8" OD x 3/8" OD comp x 72"	10/50