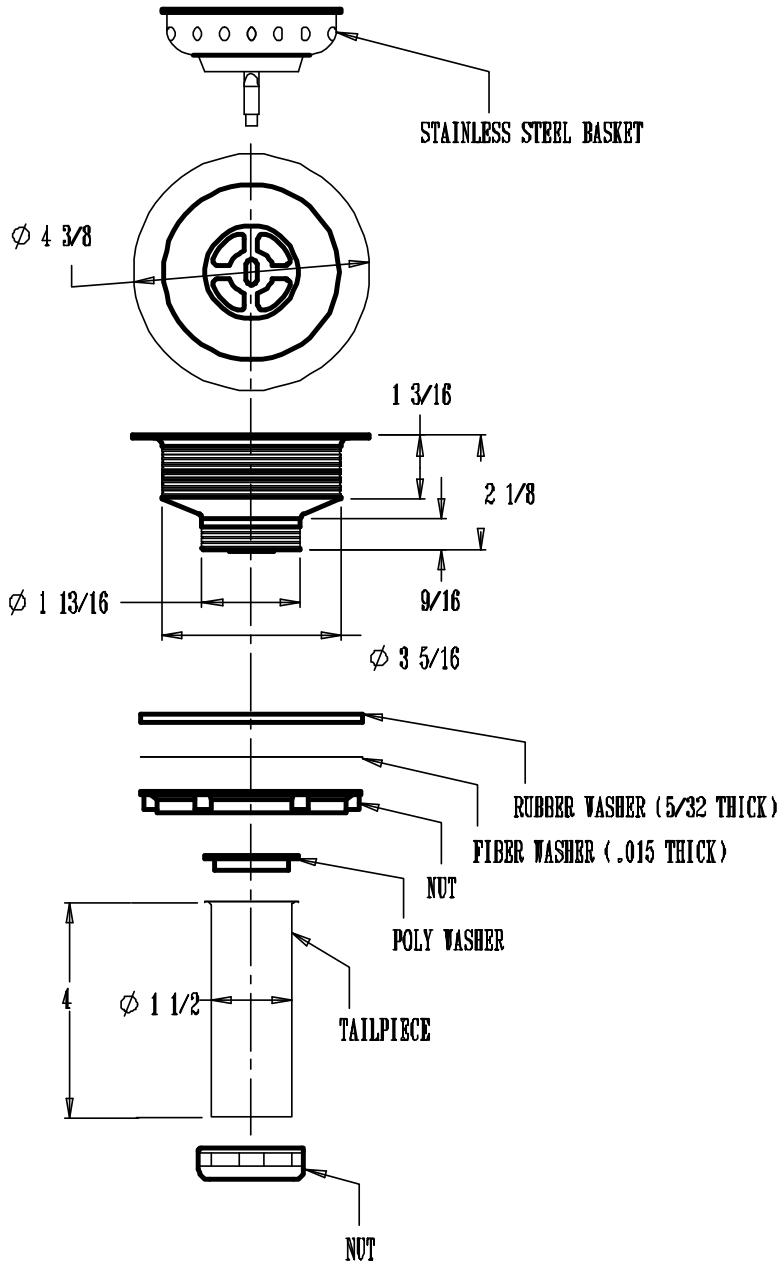


Technical Drawing

Part / Pièce #
2010



- NOTES:
1. ALL DIMENSIONS ARE IN INCHES.
 2. MATERIAL: STAINLESS STEEL
 3. FINISH: