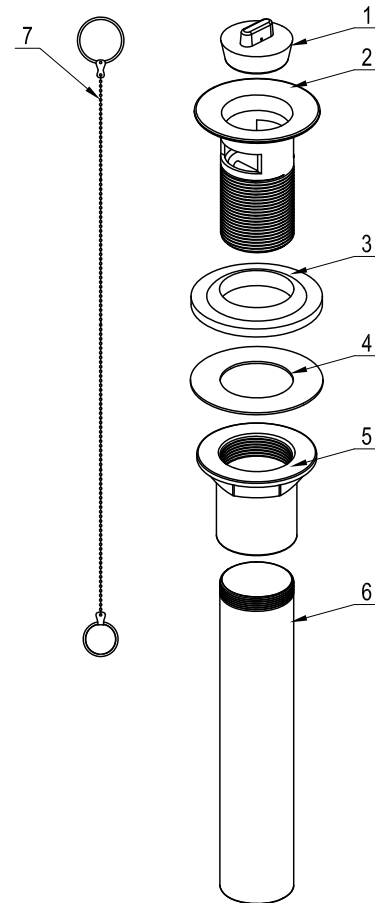
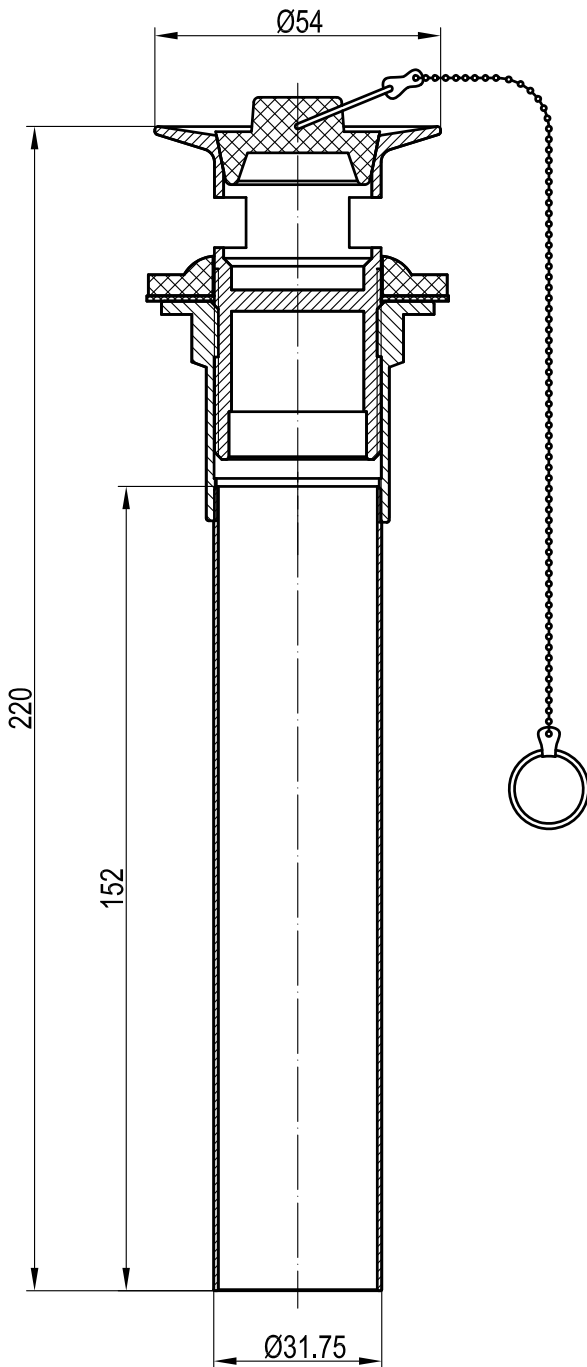


Technical Drawing

Part / Pièce #
9993



NO.	DESCRIPTION	MATERIAL	QTY
1	PLUG	NBR	1
2	BODY	HPb59-1	1
3	WASHER	NBR	1
4	WASHER	PAPER	1
5	FLANGE	HPb59-1	1
6	TUBE	H62	1
7	CHAIN	STAINLESS STEEL	1